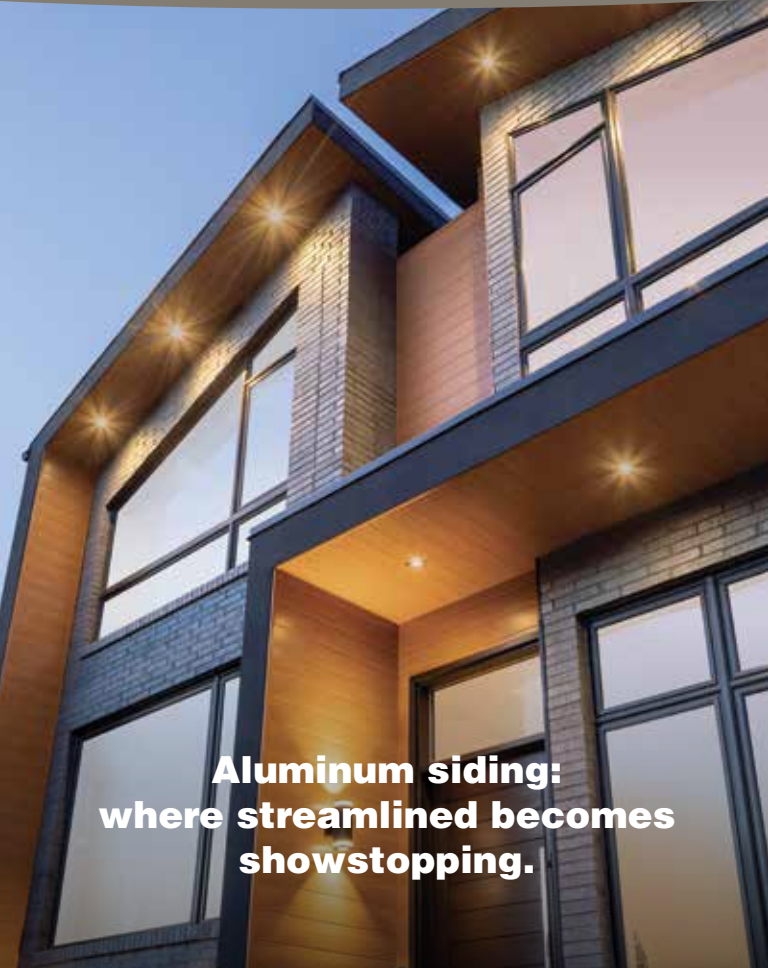




CEDAR RENDITIONS BY ROYAL™

DESIGN SERIES INSTALLATION INSTRUCTIONS



**Aluminum siding:
where streamlined becomes
showstopping.**

Table of Contents

Important Notes 4

Wall Preparation 6

Installation Accessories 10

Installation Panels 13

Premium Colors 17





What is Cedar Renditions Design Series?

Cedar Renditions is where the versatile, sturdy durability of thicker gauge aluminum siding meets wider board, contemporary wood aesthetics and streamlined looks.

Design Series features:

- 6" Siding, modern streamlined profile.
- Thicker gauge siding.
- Easy to install with a drop-in interlock system.
- Seamless overlapping notch to achieve coverage greater than 12ft.
- Residential and light commercial applications.
- Affordable price.
- Leed compliant and 100% recyclable.
- 25-year prorated limited warranty.
- Compatible with the rest of Cedar renditions line of products.

Important Notes

Storage and Transportation

When transporting the siding to a job site, make certain to keep the cartons flat and supported along their entire length. At the job site, take the following precautions when storing the product:

- Store the cartons on a flat surface and support the entire length of the cartons.
- Keep the cartons dry.
- Do not store the cartons in stacks more than 6 cartons high.
- To prevent damage to the product, it is best for the cartons to be carried by two people.

Tools and Equipment

- Hammer
- Miter saw with 80T or equivalent non-ferrous metal cutting blade
- Utility Knife
- Tape measure
- Pencil
- Chalk line
- Level
- Circular saw (80T or equivalent non-ferrous metal cutting blade)
- Snips
- Square
- Safety gear

Fasteners

When choosing a fastener for aluminum cladding products, first check with local building code officials for possible requirements. In lieu of special code requirements, Royal Building products recommends the following;

Nails:

- Nails should be a length to be able to penetrate no less than 1¼" (31.75mm) into framing or furring.
- Nails must be aluminum or stainless steel and should have a head of at least 5/16" (7.9mm) in diameter and a shank of 1/8" (3.2mm).

Water-Resistive Barrier

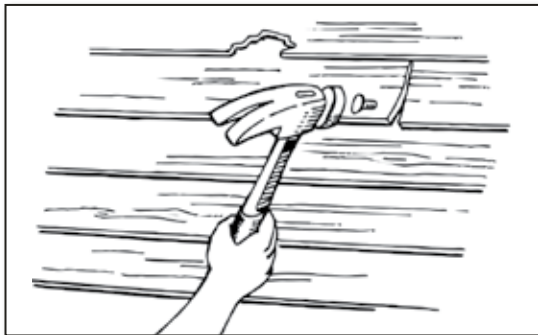
Royal aluminum siding is an exterior cladding, not a water resistive barrier, and are designed to allow the material underneath to breathe. This factor provides a supplemental rain screen that reduces the amount of water that reaches an underlying water-resistive barrier. Water-resistive barrier systems often consist of a combination of exterior cladding such as aluminum siding, flashed wall opening and penetrations, water-resistive material and sheathing. The level of water resistance required is determined by the applicable building code, the structure and the climate.

New Construction

- Aluminum siding must be installed over rigid sheathing. The siding should never be applied directly to studs without sheathing. There may also be other installation requirements (furring strips, etc.) prior to the installation of the siding. Consult local building codes for specific requirements.

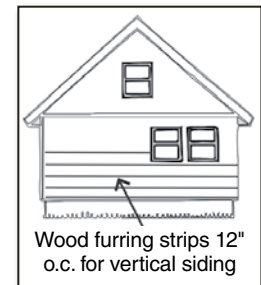
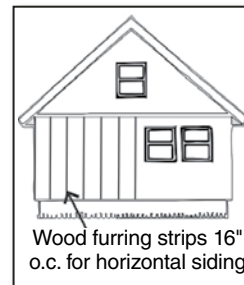
Residing

- A flat level wall surface is necessary for proper installation of the siding. If re-siding over existing wood siding, a wall leveling foam or furring strips can be used. Consult local building codes for specific requirements.
- The wall surface should be as dry as possible during the installation process.
- It is important to nail down loose boards of existing siding, and replace any rotten ones.
- Scrape off loose caulk and re-caulk around doors, windows and other areas to resist moisture penetration.
- Remove all protrusions such as gutters, downspouts and light fixtures.



Masonry Walls

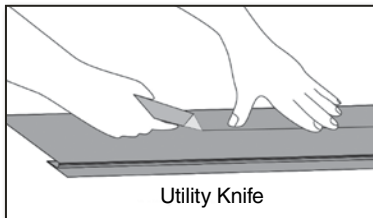
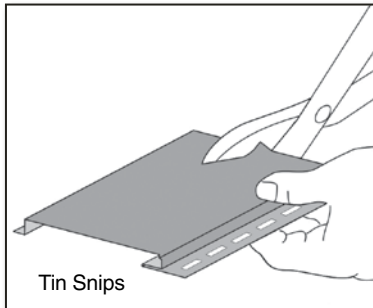
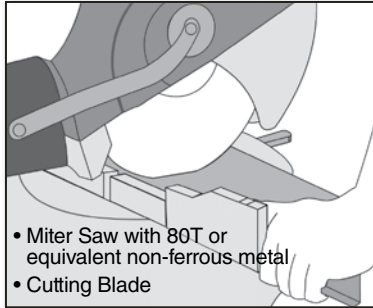
- Apply minimum 1" X 3" (19mm X 64mm) furring strips at 12" to 16" (304mm-406mm).
- Furring should be installed along all trim areas such as windows, doors under overhangs, corners, etc., and along the bottom of the walls.
- To achieve a more solid feel, fill the areas between the furring strips with foam board as defined by building code.
- **IMPORTANT: In some areas, additional strapping may be required when installing cladding. The following descriptions are typical for those applications.**
- Furring or strapping must be applied to all walls receiving the siding 1" X 3" (19mm-64m).
- For horizontal siding, the furring should be installed vertically at approximately 16" (406m) intervals.
- For vertical siding, the furring should be installed horizontally at approximately 12" (304m) intervals.
- Frame all walls, windows doors, etc. with the furring strips.



Wall Preparation

Cutting

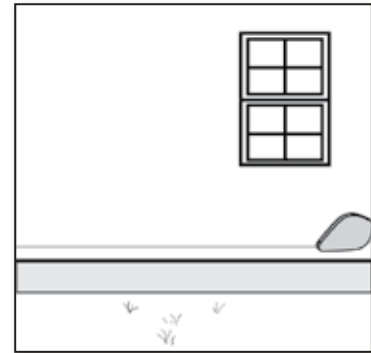
- **CAUTION: Safety glasses should be worn at all times during the cutting process.**



Installation Accessories

Strike a Chalk Line

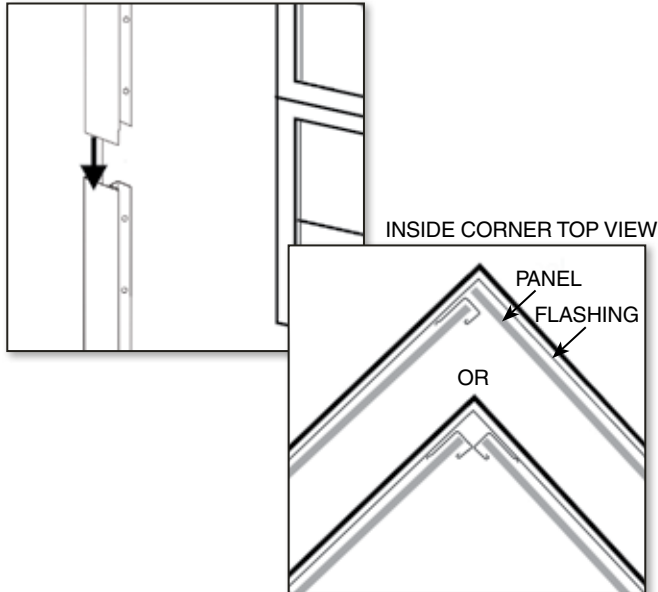
- Determine the lowest corner of the walls to be sided. Measure up to establish the point that will represent the top of the bottom J channel.
- Using a level, strike a chalk line from this point, around all walls to be sided. (In some situations, it may be possible to measure down from overhangs equally, to establish this line.)



Installation Accessories

Outside and Inside Corners

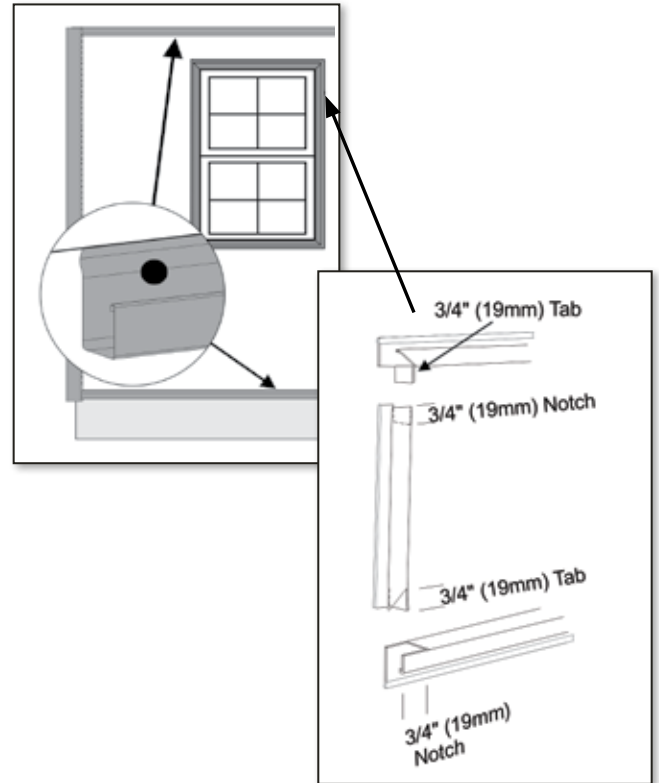
- Make sure posts are plumb. Strike a chalk line if necessary.
- Secure the post by placing fasteners at 8" to 12" (203mm-305mm) intervals.
- Allow 3/8" (9.5mm) gap at the bottom if the post is to be placed over concrete, decking, etc.
- If more than one length of corner post is required, remove 3/4" (19mm) from the nail hem and receiving channel of the upper post and overlap the post by 3/8" (9.5mm).
- For inside corners, two J channels back to back can be used or one J channel against the siding of the adjacent wall.



Installation Accessories

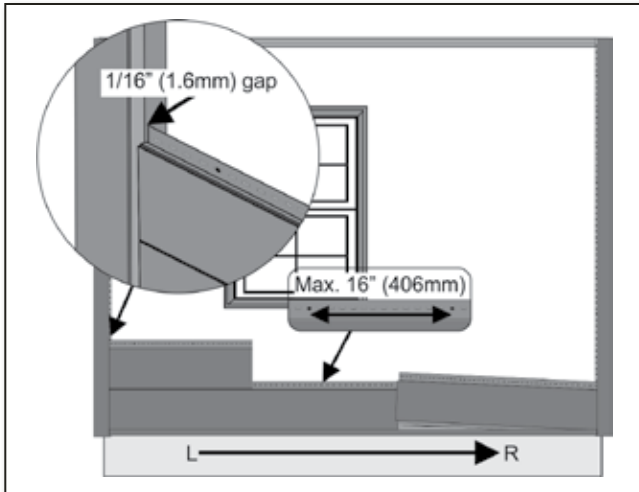
Trimming Around Doors

- Install Starter strip at the bottom of the wall aligning the top of the channel with the chalk line and the top of the wall. Fasten the channel every 8" to 12" (203mm- 305mm).
- Install J channel around windows, doors, and all openings as shown below, fastening every 8" to 12" (203mm- 305mm) beginning with the bottom piece, then sides, then top.



Installation Panels

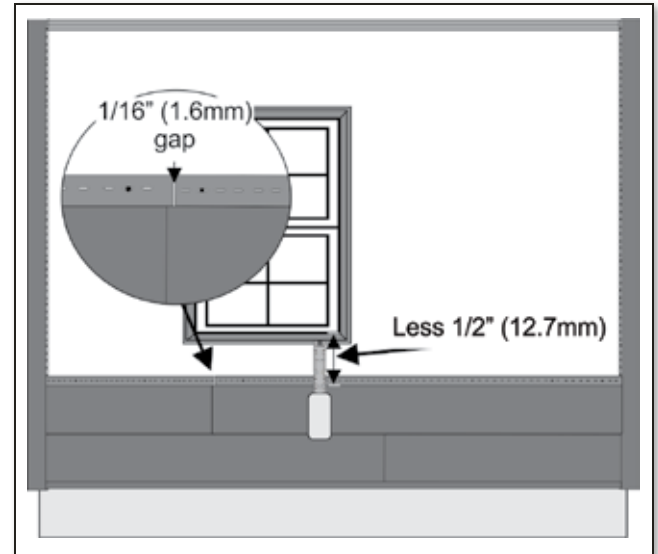
- Install panels to avoid overlap being exposed to higher traffic areas whenever possible.
- Place the first panel into the J channel and corner post. Position the panel so there's a 1/8" (3.2mm) gap in the corner between the end of the panel and the inside of the corner.
- This gap should accommodate expansion and contraction as temperatures changes
- Fasten the panel in the center of the nail slots, leaving 1/32" (.8mm) between the fastener and the panel to allow the panel to expand and contract. Space fasteners at 16" (406mm) maximum.
- Install the remainder of the course allowing 1/8" (3.2mm) between the nailing hems of the panels to allow for expansion and contraction of the panels through temperature changes.



Installation Panels

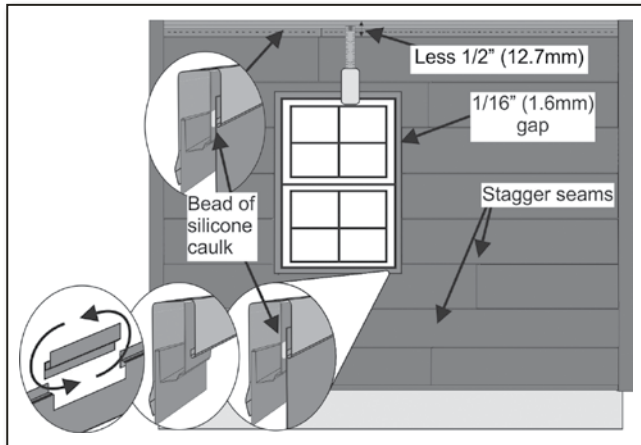
Trimming Around Doors

- Install subsequent courses making sure to randomly spread out the seams trying not to have any laps closer than 24" (610mm) to each other to make them less noticeable. Seams should never repeat unless separated by three courses.
- When measuring the height for panel cuts under windows, doors, etc., subtract 1/2" from the measurement to allow for engagement of the lock when installing the panel(s).
- To add support for the window cut under the window, use the piece removed from the panel by flipping the piece around and securing it inside the J channel. The cut edge of the panel can then be inserted between the support piece and the channel.



Installation Panels

- Use the same method used for under windows to determine the height of the final top course of panels. To add support for the top course cut, use the piece removed from the panel by flipping the piece around and securing it inside the J channel. Run a continuous bead of silicone caulk along the cut on the back side of the panel. The cut edge of the panel can then be inserted between the support piece and the channel.



Premium Colors

- The Cedar Renditions Premium Colours include three different variations in color.
- Each panel is marked on the back "L", "M" or "D" referencing the three different shades.
- For the best overall appearance, it's very important to install the panels in a random pattern, mixing the colors variations both horizontally and vertically throughout the wall (*See diagrams below*).
- **INSTALL TIP: Separate the panels in three stacks of each variation (all "L", "M", "D") and pull randomly from each stack.**

DO NOT:

- Repeat pattern each course:
L•M•D•L•M•D



- Stair-step seams, Lon the left, D on the right.

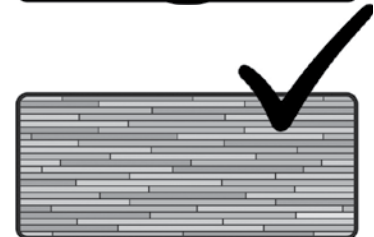


- Not random vertically, only horizontally.



DO:

- Random throughout, horizontally and vertically.



Royal® Building Products exists for one reason: to push the limits of what every type of exterior can be. We strive for best-in-class manufacturing and industry-leading innovation. What drives us? Every homeowner who demands exteriors that add value, perform impeccably, look amazing and make their lives easier. Our goal is to bring more products, more styles, more technology, more design insight and more sustainable solutions to the attention of everyone who cares about creating the best exterior possible. Build Royal™

Build™



CELECT® CELLULAR COMPOSITE SIDING



ROYAL® TRIM & MOULDINGS



ROYAL® VINYL SIDING



HAVEN® INSULATED SIDING



ROYAL® SHUTTERS, MOUNTS & VENTS



ZURI® PREMIUM DECKING



CEDAR RENDITIONS™ ALUMINUM SIDING



PORTSMOUTH™ SHAKE & SHINGLES

 **ROYAL®** Building Products
A Westlake Company

CEDAR RENDITIONS
BY ROYAL™

Rethink aluminum with Royal Building Products.

RoyalBuildingProducts.com/CedarRenditions
1.855.ROYAL85

For product warranty details, please visit RBPWarranty.com
© 2020 Royal Building Products