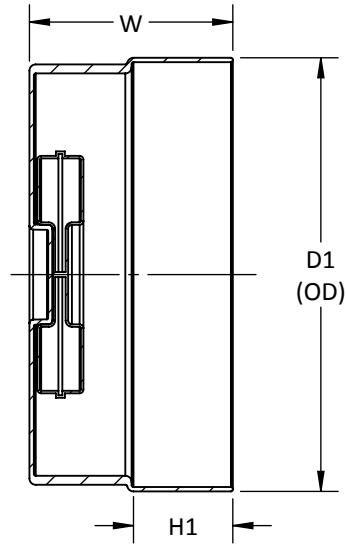


MOLDED



SUITABLE FOR USE WITH DWV AND SEWER

**INTELLICAP WITH 3M MARKER  
POLYETHYLENE**

PART NO.	SIZE IN INCHES	H1	W	D1
* P1614-SN	4	15/16	2	4 21/32
* P1616-SN	6	1 19/32	3 3/16	6 25/32

-- DIMENSIONS AND APPEARANCE ARE APPROXIMATE AND SUBJECT TO CHANGE  
WITHOUT NOTICE DUE TO DESIGN OR PRODUCTION MODIFICATIONS  
-- MOLDED FITTING TOLERANCE = ±1/8" OVERALL LENGTH  
-- FABRICATED FITTING TOLERANCE = ±1" LINEAR, ± 2° ANGULAR

\* MOLDED FITTING  
† ASSEMBLED FROM MOLDED COMPONENTS  
ALL OTHER FITTINGS ARE FABRICATED