

SDR 35 PVC Gasketed Sewer Fittings

Injection Molded in Sizes 4" - 12"
Fabricated in Sizes 15" - 36"

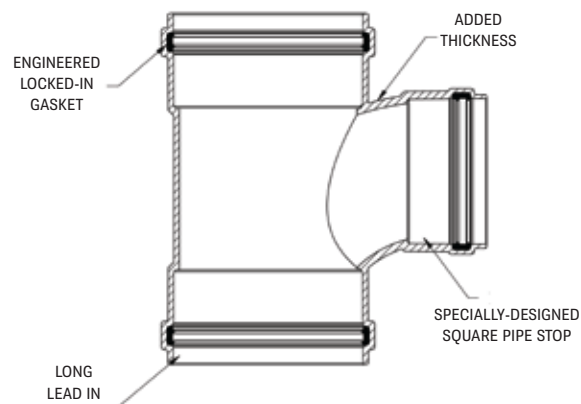
Our SDR 35 gasketed sewer fittings are designed for maximum performance in the most demanding environments along with ease of installation. Heavy duty reducing branches utilizing a minimum of SDR 18 wall thickness are used in injection molded 8", 10", and 12" tees, wyes, and tee-wyes to reinforce the strength of important branch intersections. A robust, high-performance gasket protects the system by preventing infiltration and ex-filtration.

Special features are incorporated to facilitate assembly; an extended pre-alignment lead in which aids in the proper placement of pipe and fittings, and our square pipe stop which resists pipe push-through from over insertion.

Our backwater valves are designed to be integrated with this series.

Design Advantages

- Reinforced wall thickness at key branch intersections to SDR 18 for added protection from stress and breakage. Injection molded joint withstands 50 psi hydrostatic pressure and 22" mercury vacuum pressure
- Integrated engineered gasket and a one-piece bell for maximum system performance
- Specially-designed square pipe stop prevents damage from over insertion, requires 30% more force before spearing
- Pre-alignment lead in allows an easy and timely installation
- **Triple certification listing**



Applications

Non-pressure drainage of sewer and surface water.

Typical Uses:

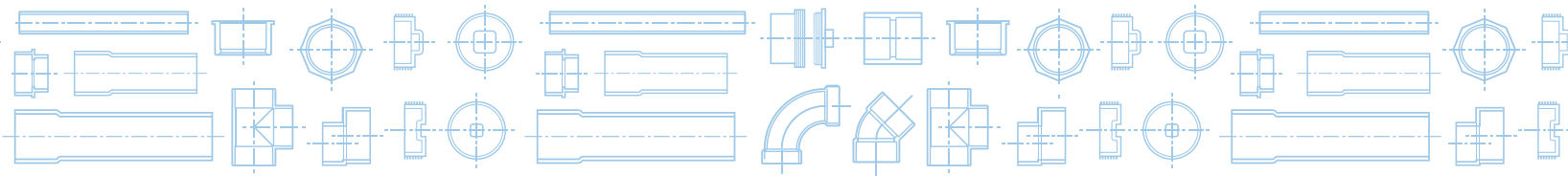
Lateral Connections to Municipal Sewers

Sanitary
Storm

Surface Drainage

Area drainage
Parking lot drainage

Attention: Royal Building Product's fittings are not to be used or tested with compressed air or gases.



G-Series

The G series fitting line is a fully-integrated SDR 35 fitting design using reinforced branches and intersections to enhance the structural integrity of the installation and provide long-lasting performance.



Short Form Specifications

4" through 12" injection molded gasketed SDR 35 sewer fittings shall be manufactured in accordance with ASTM D3034, ASTM F1336, and CSA B182.2. They shall be injection molded from virgin PVC compound having a cell classification of 12454 or 13343 in accordance with, and certified by the National Sanitation Foundation (NSF), to meet ASTM D1784. Gaskets shall be manufactured in accordance with ASTM F477 or ASTM F913. Gaskets shall be firmly seated in fitting in order to ensure proper installation and to prevent dislocation or misalignment during system assembly. Gasket joints must comply with ASTM D3212 Internal Pressure Test (ex-filtration) and Vacuum Test (infiltration) at 5 degrees of gasket joint deflection and top load deflection.

Where available, reducing branches on injection molded 8", 10", and 12" tees, wyes, and tee-wyes shall be minimum SDR 18 wall thickness in the reducing branch body and reducing branch hub area below the gasket race.

Gasketed SDR 35 sewer fittings shall be certified by the National Sanitation Foundation (NSF) and, in applicable configurations, by the International Association Of Plumbing And Municipal Officials (IAPMO) to meet ASTM D3034, and by the Canadian Standards Association (CSA) to meet CSA B182.2.

Certification

Our Gasketed SDR 35 Sewer fittings are third party tested and listed by NSF, UPC and CSA to meet specifications defined in ASTM D3034, ASTM F1336 and CSA B182.2, where applicable.

