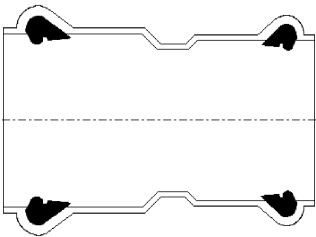
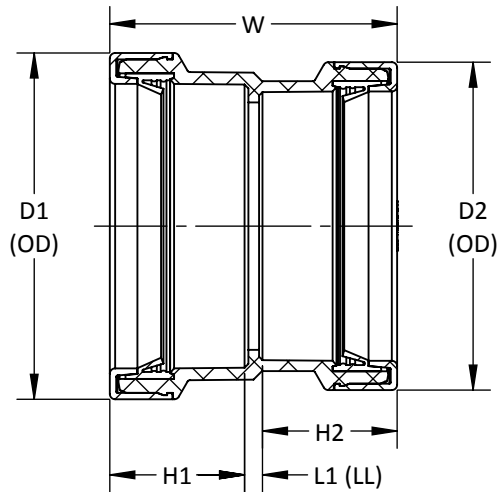


MOLDED



FABRICATED (APPEARANCE MAY VARY)



ASTM D3034, F1336, CSA B182.2
ASTM D2665, F1866, CSA B181.2
WHERE APPLICABLE

**GASKETED DWV ADAPTER COUPLING GxDWV G
SDR 26 GASKET SEWER HUB x GASKET DWV HUB**

PART NO.	SIZE IN INCHES	L1	H1	H2	W	D1	D2
* H657	4 x 4	1/4	2 29/32	2 29/32	6 1/16	5 29/32	5 7/16
* H658	6 x 4	1 7/16	3 7/32	2 29/32	7 9/16	8 1/8	5 29/32
* H659	6 x 6	3/8	3 7/32	3 5/32	6 3/4	8 1/8	7 11/16
H6508	8 x 8	1 1/4	5 3/4	5	12	---	---
H6510	10 x 10	3	9	6	18	---	---
H6512	12 x 12	3	10	6 1/2	19 1/2	---	---

-- DIMENSIONS AND APPEARANCE ARE APPROXIMATE AND SUBJECT TO CHANGE
WITHOUT NOTICE DUE TO DESIGN OR PRODUCTION MODIFICATIONS
-- MOLDED FITTING TOLERANCE = ±1/8" OVERALL LENGTH
-- FABRICATED FITTING TOLERANCE = ±1" LINEAR, ± 2° ANGULAR

* MOLDED FITTING
† ASSEMBLED FROM MOLDED COMPONENTS
ALL OTHER FITTINGS ARE FABRICATED