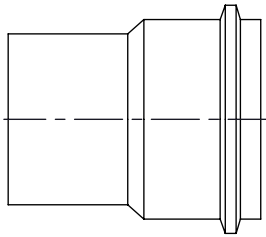
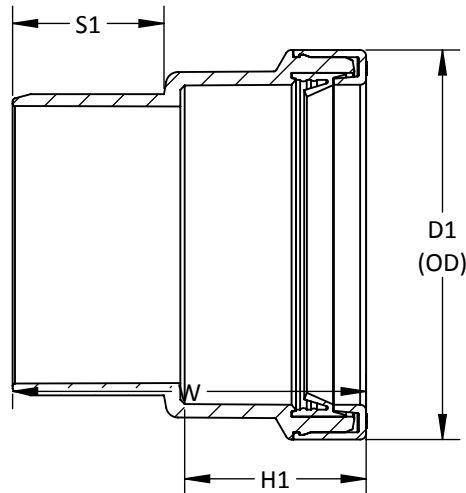


MOLDED



FABRICATED (APPEARANCE MAY VARY)



ASTM D3034, F1336, CSA B182.2
ASTM D2665, F1866, CSA B181.2
WHERE APPLICABLE

**GASKETED DWV ADAPTER BUSHING SxDWV G
SDR 26 CHAMFER SEWER SPIGOT x GASKET DWV HUB**

PART NO.	SIZE IN INCHES	H1	S1	W	D1
* H1213	4 x 4	2 29/32	2 27/32	5 15/16	5 29/32
* H1214	6 x 4	2 29/32	3 3/8	7 7/16	5 29/32
* H1215	6 x 6	3 13/16	3 5/32	7 5/16	8 1/8
H9208	8 x 8	5 3/4	---	---	9 11/32
H9210	10 x 10	9	---	---	11 1/4
H9212	12 x 12	10	---	---	13 9/16

-- DIMENSIONS AND APPEARANCE ARE APPROXIMATE AND SUBJECT TO CHANGE
WITHOUT NOTICE DUE TO DESIGN OR PRODUCTION MODIFICATIONS
-- MOLDED FITTING TOLERANCE = ±1/8" OVERALL LENGTH
-- FABRICATED FITTING TOLERANCE = ±1" LINEAR, ± 2° ANGULAR

* MOLDED FITTING
† ASSEMBLED FROM MOLDED COMPONENTS
ALL OTHER FITTINGS ARE FABRICATED